

PCW-SSRX Sensor Servers

Description:

Whatever you're counting or sensing (people, vehicles, temperature, humidity, proximity, doors, etc.) the Sensor Server processes and serves data received from up to 100 wireless PCW or XR series sensors equipped with an RF transmitter. Data can be automatically or manually downloaded from one or more local and remote Sensor Servers to one central PC using wired Ethernet (TCP/IP) or Serial (RS232) protocol. Historical data logs contain information to identify each location and each specific sensor within a location along with date and time stamped values. The Sensor Server can be programmed, controlled and queried using Server Manager Software or directly by using simple ASCII commands. The Sensor Server contains battery backed RAM so data is not lost with power outages. Server and sensor status with current values can be easily viewed in near real time. Your network is secure since wireless communication is only for data exchange between the Sensors and the Sensor Server so your network cannot be accessed wirelessly through the Sensor Server.

Features:

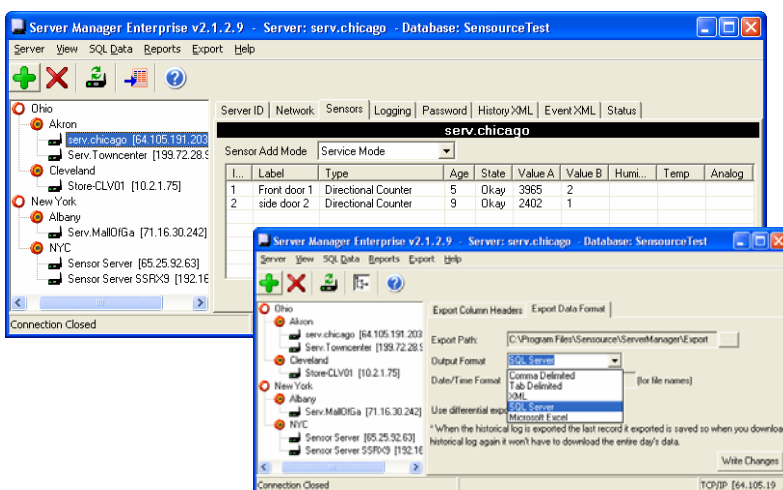
- Automatic centralized monitoring and reporting from one or more facilities
- Compatible with wireless (proprietary RF protocol) or wired sensors
- Network secure wired data retrieval, reporting & monitoring via Ethernet (TCP/IP) or Serial (RS232) Communications.
- Data Logger creates time stamped records of count values
- Internet Browser page displays sensor status and values
- Monitor up to 100 sensors with each Sensor Server
- 8600 Historical record capacity (approximately 1yr. of data at 1 hour intervals)



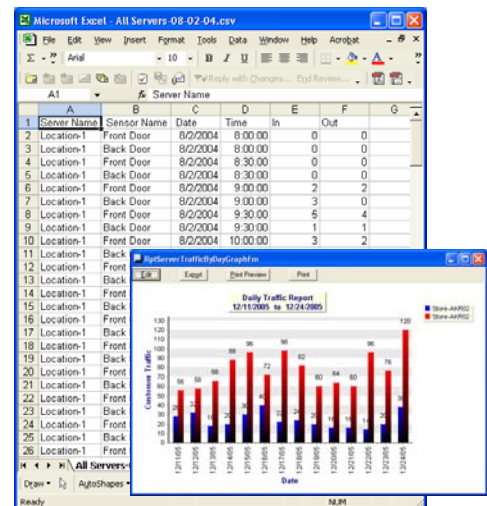
Ordering:

- PCW-SSRX4 Sensor Server with 418 Mhz receiver and wired Ethernet (TCP/IP) or Serial (RS232) data ports
- PCW-SSRX9 Sensor Server with 900 Mhz receiver and wired Ethernet (TCP/IP) or Serial (RS232) data ports
- PC-SSRX485 Sensor Server with RS485 data receiver and wired Ethernet (TCP/IP) data port

Typical Status Screen



Export Data or Generate Reports & Graphs



***Server Manager Software** (Purchased Separately) – Provides centralized reporting, configuration of hardware, downloading data, customized graphing, report generation with the ability to group data based on predefined regions and much more... Call SenSource or visit our website for more information.

PCW-SSRX Sensor Servers

PCW-RTX4.9.9 Optional Repeater:

Used to increase RF distance from sensors to Sensor Servers, PCW-RTX4.9.9 "Mesh Repeaters" are 418 and 900MHz RF receivers with an integrated 900 MHz transmitter. They receive data packets from 418 and 900MHz PCW or XR Series Sensors, processes the data, and then retransmit at higher power to other 900MHz repeaters or 900MHz Sensor Servers. Multiple Repeaters can coexist and can communicate with multiple 900MHz Sensor Servers, and other Mesh Repeaters to establish multiple fault tolerant paths.



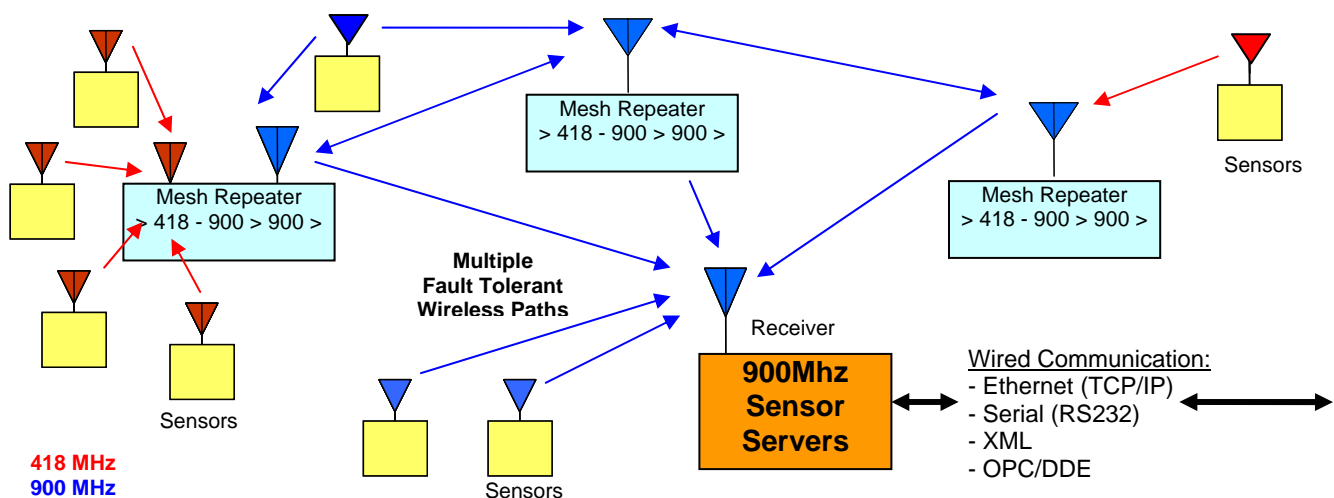
Features:

- 418 and 900MHz to 900MHz spread spectrum Mesh Network Repeater.
- As many as 26 layers of Mesh Network repeating.
- Automatic randomization and collision avoidance.
- Built in 100 milliwatt 900 MHz frequency hopping radio for long-range wireless interface.
- Low profile, high gain whip antenna.
- Convenient AC powered with Plug-In Transformer
- Range Indoor when used with other SenSource receivers: 600' to 1300'.
- Transceiver Range Outdoor (with dipole): 7mi. (LOS).
- Supports all PCW and XR Series Sensors (Counters, Temperature, Humidity, Analog, Pressure, Motion, Vibration, Discrete I/O, and Light)
- 3.3 X 3.3 X 1.4 inch ABS enclosure with flange mounts.
- Sealed enclosures for outdoor operation are available.

Ordering:

- PCW-RTX4.9.9 (418MHz & 900MHz Received and retransmitted to 900 MHz)

Example Configuration: (Note 900MHz Sensor Servers or Count Servers must be used when repeaters are needed)



PCW-SSRX Sensor Servers

Example configuration for multiple facilities

