

PC-PIR15 Wireless Traffic/People Counter with Integral Chime

Description:

SENSOURCE now brings the benefits of its advanced wireless technology in the form of an easy to install traffic counting system with an integral annunciator. The PC-PIR15 System can be installed anywhere easily and quickly with no wiring. This system consists of a battery powered passive infrared motion detector with integral 418Mhz transmitter, remote chime and counter display. The sensor will delay approximately 2 - 3 seconds between detections in order to count families as one unit. The remote SS-RC10 chime has 4 settings OFF, Low, Medium, High. Optional upgrades include the PCDL-1000 Count Recorder for easy PC integration or add a XR9-PC1 data transmitter (Pulse Counter) with Sensor Server to create a fully automatic data collection system.



Design Versatility:

- Upgradeable: Add a PCDL-1000 Count Recorder for PC integration or add a XR9-PC1 (data transmitter) with Sensor Server for fully automatic data collection and network integration.
- Specially designed sensor mounts easily on walls, ceilings, fence posts, desktops
- Weatherproof design of sensor allows outdoor use for counting vehicles or people.
- No reflector alignment is needed
- Two detection patterns: 50ft (long range) or 17ft. (fan pattern), adjusts easily.
- Optional Portable Hand-Held Transmitter (SS-TS10 purchased separately) can be clipped to a belt, worn as a pendant, or mounted to a wall and used to remotely activate the SS-RC10 chime/relay
- Receivers with integrated chime mount on a wall or rest on a desktop
- Multiple systems can operate in the same area on separate frequencies
- Low battery indication by tone (SS-RC10) and LED (all models) tells you when to replace batteries and prevents malfunctions.

"Best In Its Class" maximum transmission range

SS-TD10.....1,000ft max (LOS), 200ft typ.

(These measurements were obtained with receivers and transmitters mounted 7ft. above level ground without obstructions. Natural and man-made obstructions and other environmental factors do shorten transmission ranges.) Always confirm actual transmission range during installation of system. Please use the information below as a reference for transmission performance.

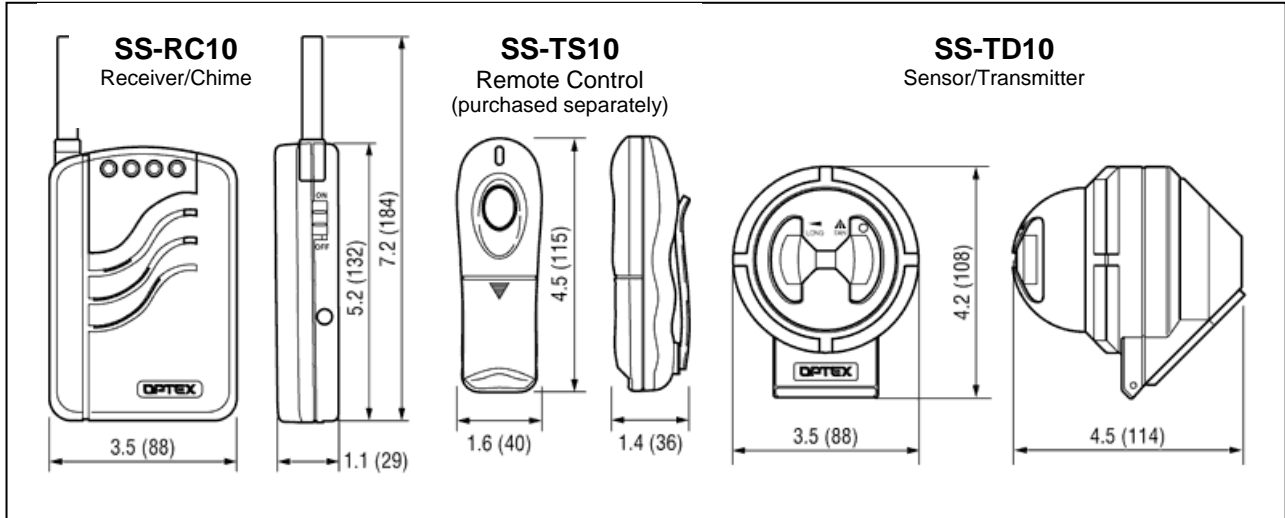
Ordering:

- PC-PIR15 (SS-TD10 PIR Sensor, SS-RC10 Remote Chime and LCD Counter Display)
- PC-RPIR15 (SS-TD10 PIR Sensor, SS-RC10 Remote Chime and PCDL-1000 Count Recorder)
- PCW-PIR15 (SS-TD10 PIR Sensor, SS-RC10 Remote Chime and XR9-PC1 900Mhz Data Transmitter)

Optional Components:

- SS-TS10 (Remote Control)
- PCDL-1000 (Count Recorder)
- PCDC-RS232 (Count Recorder Download Cable and Software)
- XR9-PC1 (Counter with 900Mhz Data Transmitter)
- PCW-SSRX9 (Sensor Server with 900Mhz Data Receiver, Ethernet-TCP/IP and RS232 communication)

PC-PIR15 Wireless Traffic/People Counter with Integral Chime



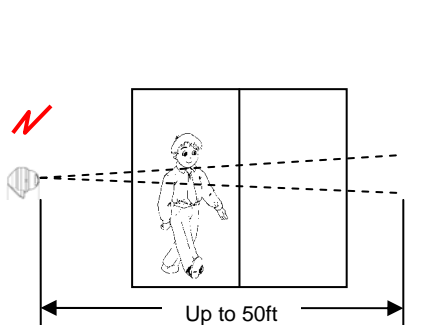
Specifications:

SS-RC10 – Receiver/Chime

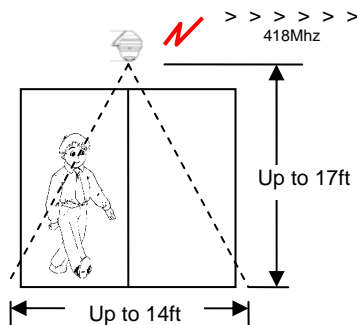
Power Source: DC 9V (exclusive AC adapter)
Power Consumption: standby – 1W, operating – 2W
Chime Tone: 3 tone & 1 alarm (optional)
Volume: Adjustable: 0~80dB / 5 levels
Relay Output: Max. 1A / 50 VAC or 1A / 24VDC
Selectable Timer & Output: off/1/5/30/60sec
Status & Power Indicator: Green LED
Zone Indicator: Red LED x 3
Radio Frequency: 418mHz
Operating Temperature: 15°F ~ 104°F (-10°C ~ 40°C)
Installation Location: Indoor
Weight: 6.0 oz. (170g)

SS-TD10 - Sensor Transmitter

Detection Method: Passive Infrared Detection
Pattern: 50ft (15m) long range 17ft (5m) fan pattern
Power Source: 9V: alkaline battery
Battery Life: Approx. 2 years
Radio Frequency: 418mHz
Operating Temperature: 15°F ~ 120°F (-10°C ~ 50°C)
Installation Location: Outdoor / Indoor
Weight: 6.3 oz. (180g)



Side mounting with long range beam configuration is best used for very wide openings and ignoring children in counts



Overhead mounting with fan pattern configuration is best used for double door entry when all people should be counted

